

MAX4 SB WATERCOOLED

data sheet



XPOWER
WATER - PUMPS

X-Power Project

On the top of our project, there is the custode:
He must be sure to buy a guaranteed product.
We advise, follow, and assist the customer before and
after the sale

Our dealers share the goal of working offering the best
solutions on the market.

X-Power stands for reliability.

We only offer innovative products and reliable, that find
wide acceptance in diy stores, in hardware and in hea-
ting
& plumbing shops.

On the basis of our brand, there is also the support of
professional sellers:

Thanks to the experience and expertise of our team,
we
provide a high service quality!



NOTE:

**MAX 4
SB**



MAX 4SB watercooled submersible pumps

XPOWER
WATER - PUMPS

efficient
resistant
guaranteed
ecological



www.xpowerwaterpumps.com

MAX 4SB watercooled submersible pumps



X-Power MAX4 SB watercooled submersible

Max 4 SB watercooled submersible pumps

Introduction

The Max4SB water-cooled submersible pumps are technically advanced products. The use of the best materials and construction techniques and the rigorous testing of each piece guarantees the production of electric pumps for heavy duty applications.

Description

The X-power Max4SB Watercooled submersible pumps are mainly used for **pumping water from wells**.

Thanks to their characteristics, the Max4SB Watercooled submersible pumps are used in domestic, technological or industrial applications.

They are also perfect where maximum operational reliability is essential.

Compact and easy to maintain, the Max4 SB Watercooled sub pumps ensure high performance.

The high efficiency is balanced with the electricity consumptions.

The combination with the MXW submersible motors gives the pump high resistance to the corrosive action of stray currents. These pumps also allow installation under a head of water up to 150 meters

The submersible x-power watercooled motors are characterized by high durability and electrical resistance. They also are anti-pollution: unlike oil-cooled motors, the x-power engines are water-cooled and for this reason they do not represent a danger to the groundwater.

Designed to work in continuous service (24 hours a day), they maintain the efficiency and performance levels unaltered.

Operating characteristics guaranteed according to ISO9906 Upgrade two regulations.



1



2



1 Ecological watercooled motor

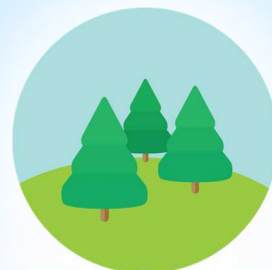
2 High hydraulic efficiency impellers

Pompe sommerse X-Power MAX4 SB watercooled

Max4 SB submersible pumps with brass supports

Ecological

(watercooled electric motor)



Work H24

Designed to work 24 hours a day (365 days a year)



Resistant

(Greater resistance to corrosion of galvanic currents)



Efficient

(high efficiency electric motor)



Guaranteed

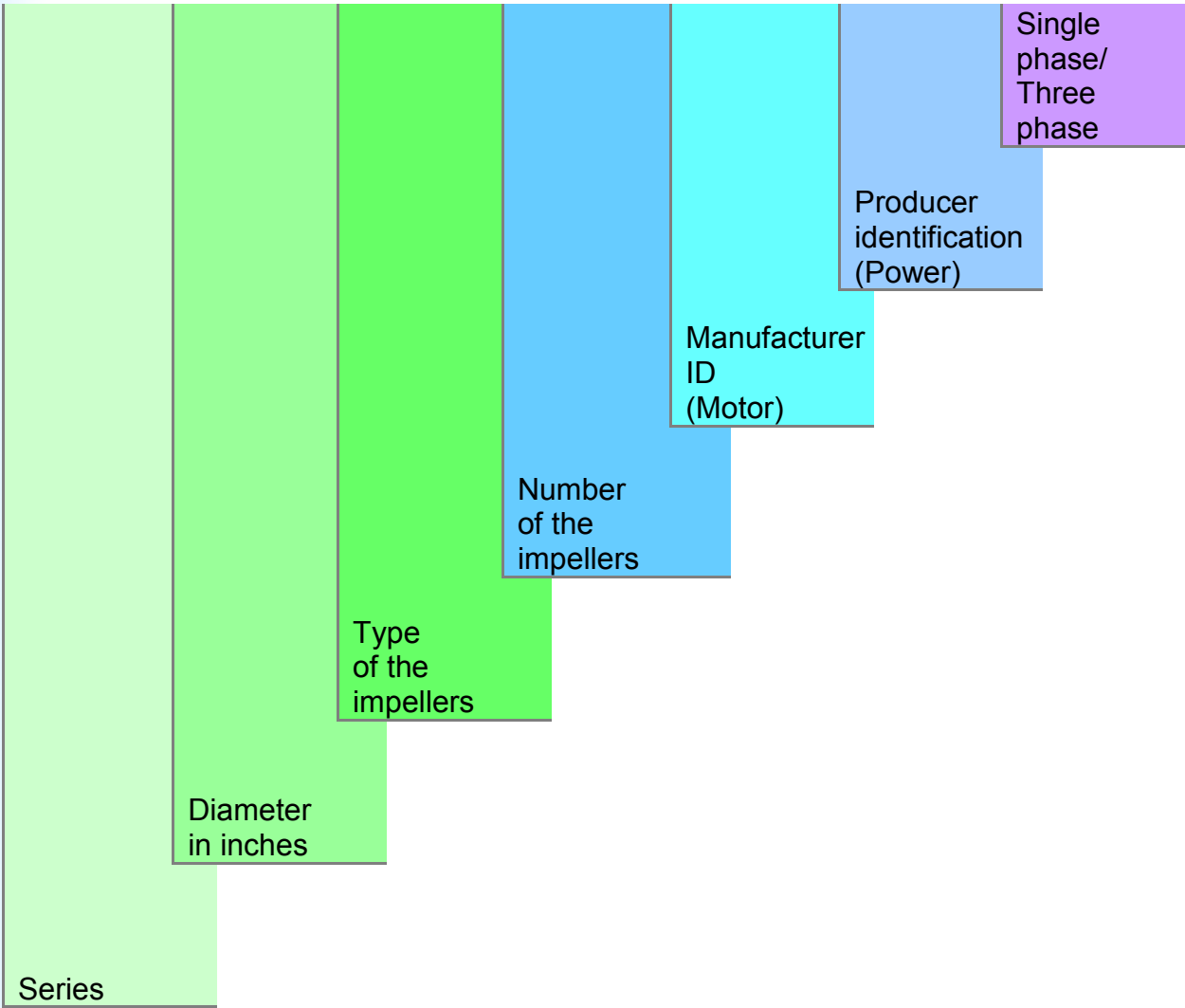
(3 year warranty on the hydraulic part)



X-Power MAX4 SB watercooled submersible pumps

Nomenclature








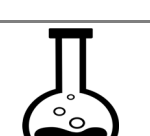

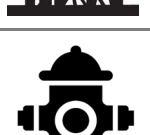
Complete nomenclature of the submersible pump							
PUMP				MOTOR			
MAX	4SB	4	11	+	MXW	415	M/T



X-Power MAX4 SB watercooled submersible pumps

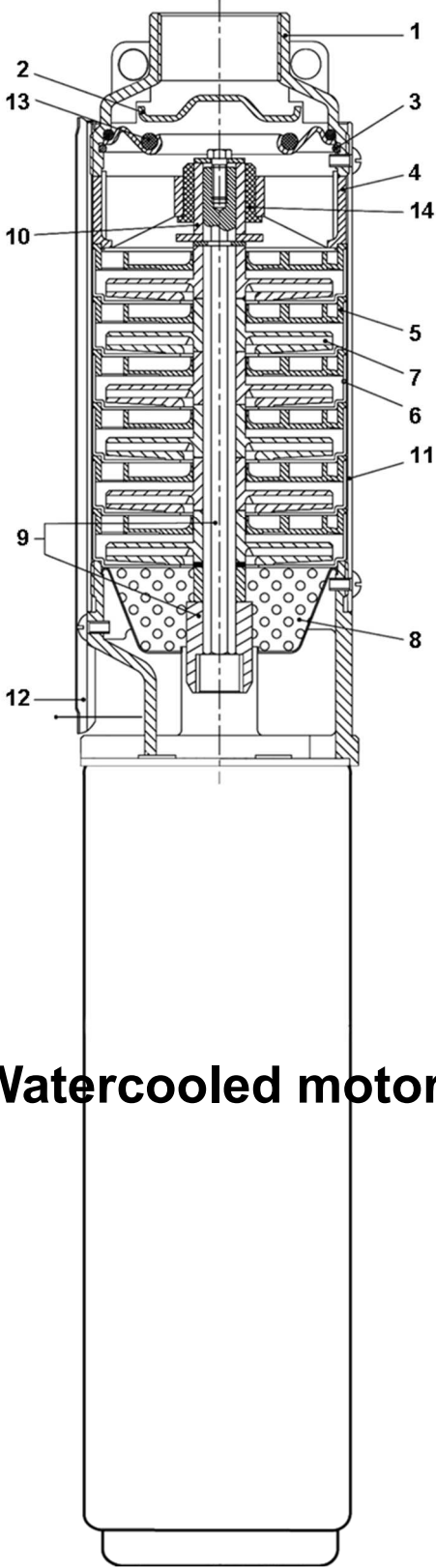


Applications

Application sectors	
	Aqueduct
	Industry
	Agriculture
	Floriculture
	Food service
	Hospital
	Car washing
	Chemical industry
	Extractive sector
	Fire prevention system

X-Power MAX4 SB watercooled submersible pumps

Exploded view of the hydraulic part



Watercooled motor

X-Power MAX4 SB watercooled submersible pumps

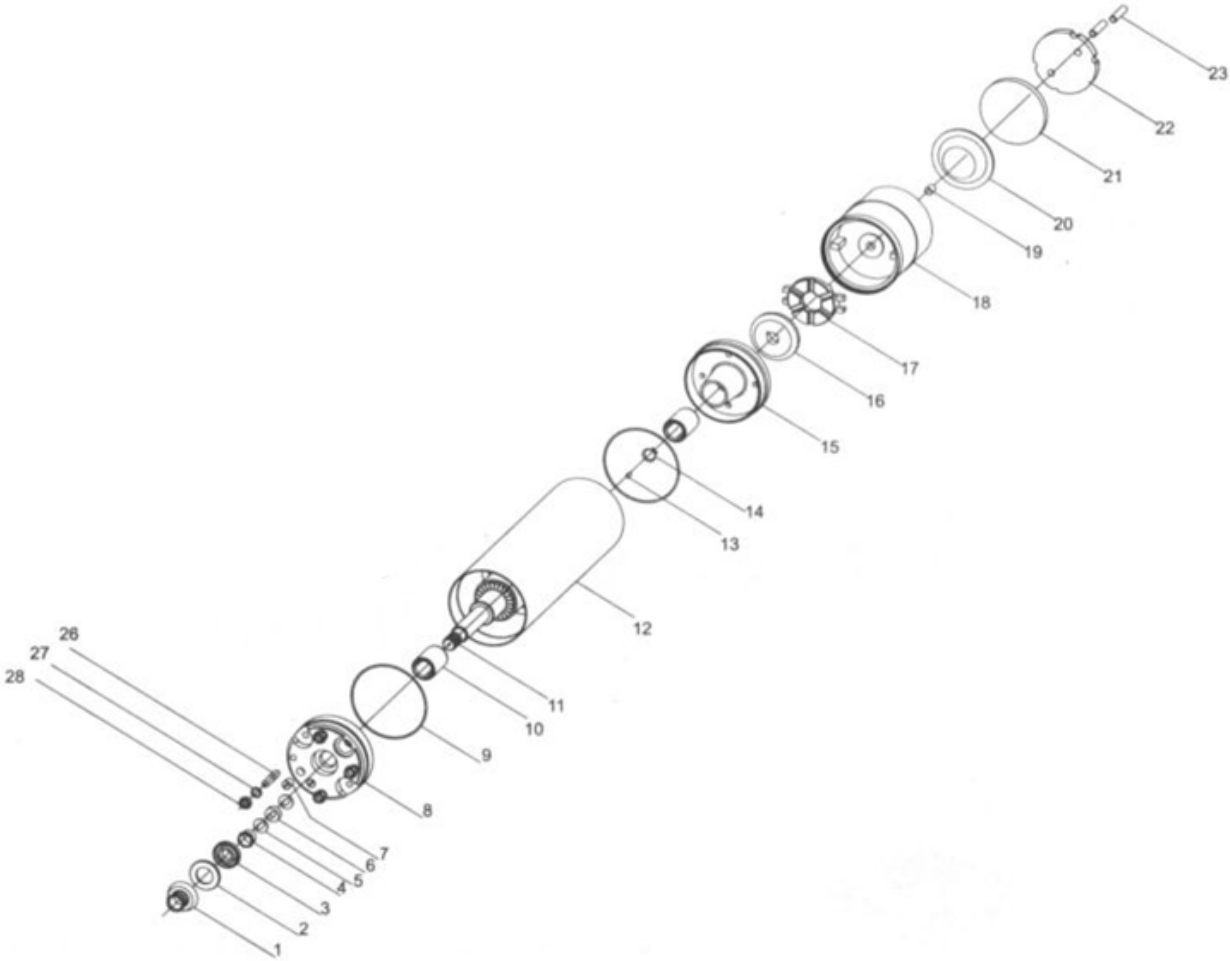
Legend of the element

N°	Description	Material
1	Delivery support	CW508 Brass
2	Check valve cone	Polycarbonates loaded with fiberglass
3	Check valve seat	Polycarbonates loaded with fiberglass
4	Superior support	CW508 Brass
5	Diffuser	Polycarbonates loaded with fiberglass
6	Thickness	AISI 304 SS stainless steel
7	Impeller	Noryl 34
8	Net filter	AISI 304 SS stainless steel
9	Pump shaft + joint	AISI 304 SS stainless steel
10	Bushing	AISI 304 SS stainless steel
11	Pump cover	AISI 304 SS stainless steel
12	Cable cover	AISI 304 SS stainless steel
13	O-Ring	NBR
14	Sliding bushing	Technopolymers blend



MXW watercooled submersible motor

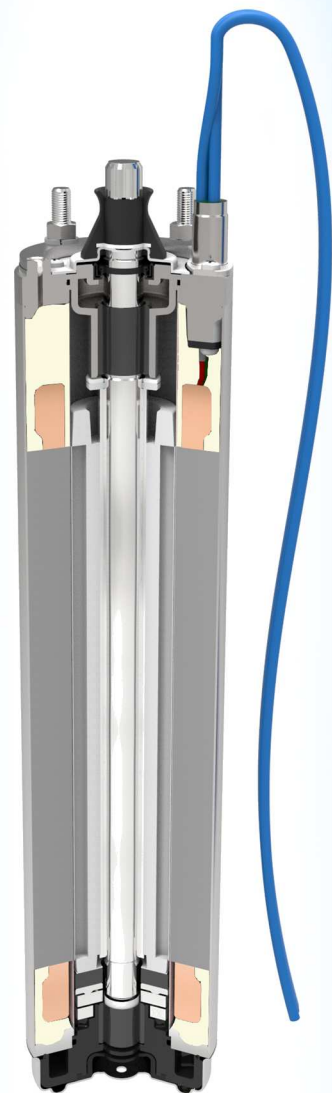
Exploded view of the motor



MXW watercooled submersible motors

Legend of the components

N°	Description	Material
1	Sand guard	Synthetic rubber
2	Oil seal gasket	NBR
3	Lower seal	NBR
4	Nut	Stainless steel AISI 304
5	Washer	Stainless steel AISI 304
6	Bush	Stainless steel AISI 304
7	Internal screw	Stainless steel AISI 304
8	Support	Stainless cast iron
9	O-Ring	NBR
10	Shaft bush	Chrome plated brass
11	Drive shaft	Stainless steel AISI 420
12	Stator and cover	Ferro magnetico
13	Clip	Stainless steel AISI 304
14	Ring	Stainless steel AISI 304
15	Lower support	Stainless cast iron
16	Closing ring	Stainless steel AISI 304
17	Thrust bearing	Tempered steel
18	Base	Stainless steel AISI 304
19	Basic screw	Stainless steel AISI 304
20	Bellows	NBR
21	Lower support pump body	Stainless cast iron
22	Screw base	Stainless steel AISI 304
23	Support screw	Stainless steel AISI 304
26	Threaded rod/ stud-bolt	Stainless steel AISI 304
27	Washer	Stainless steel AISI 304
28	Nut	Stainless steel AISI 304



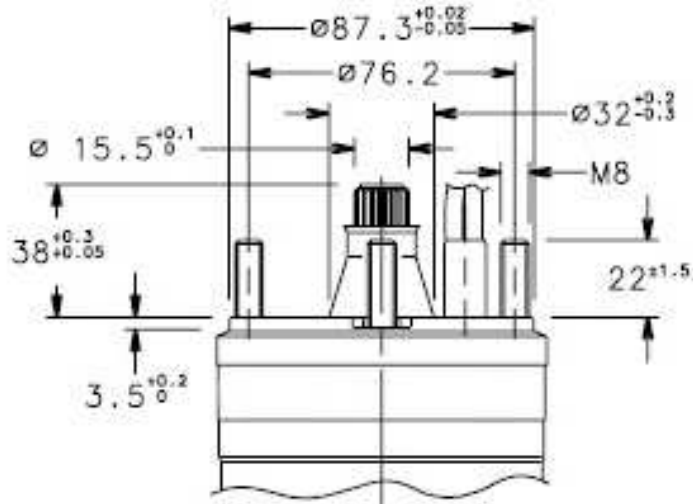
MXW watercooled submersible motors

Main components of the submersible electric pump

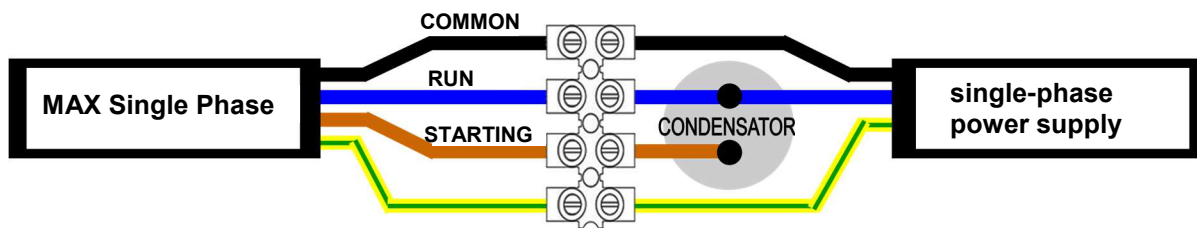
Images	Description
	Upper brass motor support.
	Delivery and suction support in brass.
	Impellers in special thermoplastic material, with anti-slip locking system.
	Diffusers with stainless steel bushing.
	Floating system with spacer rings, that together with the impellers and the diffusers allows the submersible pump to operate dry without failure.
	The power cable is practical and easy to remove and install. The connection of the power cable to the motor body is made by the cable gasket and the seal cover (only for the MXA version).
	The slinger, sand guard or para sand is the first protection of the motor from sand. It helps to prevent the entry of the sand, which comes into contact with the mechanical seal inside the engine.
	Trust bearing for installations in deep wells, 200 meters entirely immersed in water.

MXW watercooled submersible motors

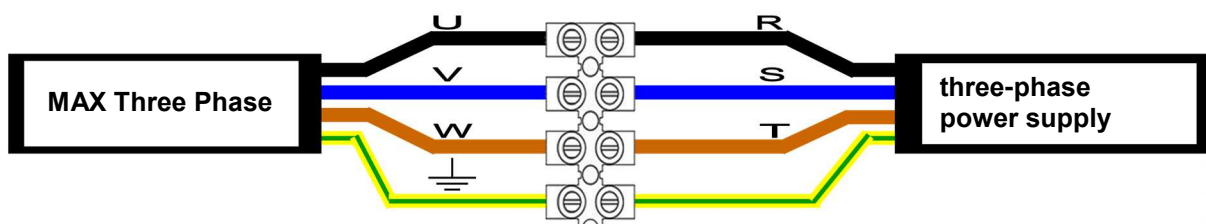
Standard sizes of 4 "motors

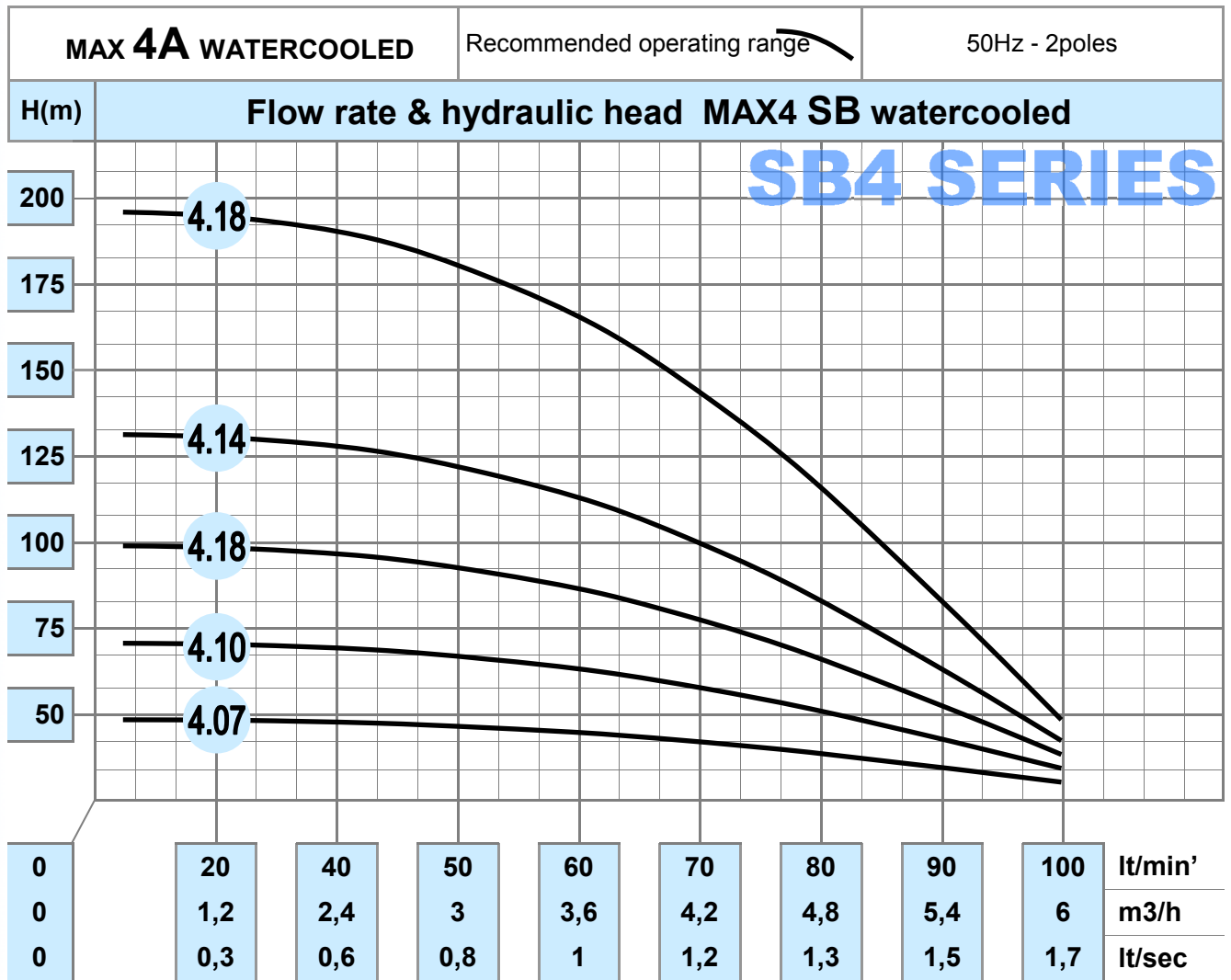


Electrical connection of single-phase pumps



Electrical connection of three-phase pumps





Table

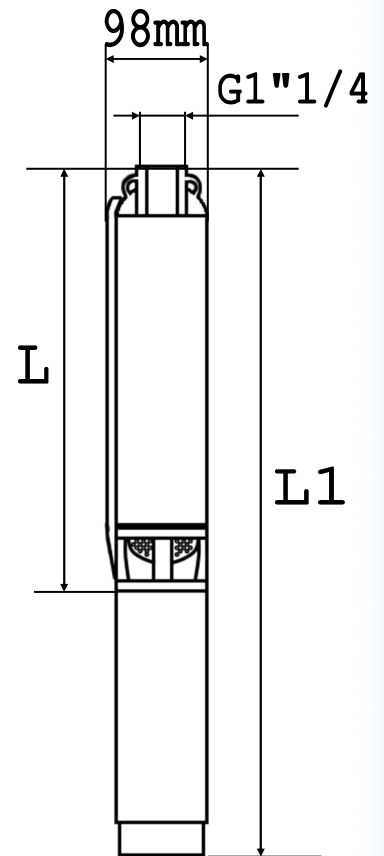
Model	Hp	L/min'	0	30	40	50	60	70	80	90	100
		m3/h	0	1,8	2,4	3	3,6	4,2	4,8	5,4	6
MAX4SB 4/07	0,75	H (m)	48	47	44	40	33	31	26	18	13
MAX4SB 4/10	1,00		70	66	62	57	47	44	37	24	18
MAX4SB 4/14	1,50		100	94	87	80	66	62	52	36	26
MAX4SB 4/18	2,00		129	121	113	103	81	79	66	44	33
MAX4SB 4/27	3,00		193	184	170	154	124	119	100	80	49

Characteristic

Model	Impellers	Volts	Rpm	Power		Ampere (A)	MF
				kW	HP		
MAX4SB 4/07 + MXW4075M	7	230Vac	2822	0,55	0,75	4,4	20:25
MAX4SB 4/10 + MXW41M	10		2845	0,75	1,00	5,9	30:35
MAX4SB 4/14 + MXW415M	14		2860	1,10	1,50	7,8	35:40
MAX4SB 4/18 + MXW42M	18		2830	1,50	2,00	10,2	45:50
MAX4SB 4/27 + MXW43M	27		2820	2,20	3,00	14,9	70:80
MAX4SB 4/07 + MXW4075	7	400Vac	2810	0,55	0,75	1,6	---
MAX4SB 4/10 + MXW41	10		2820	0,75	1,00	2,0	---
MAX4SB 4/14 + MXW415	14		2825	1,10	1,50	2,9	---
MAX4SB 4/18 + MXW42	18		2835	1,50	2,00	3,9	---
MAX4SB 4/27 + MXW43	27		2830	2,20	3,00	5,1	---

Dimensions and weights

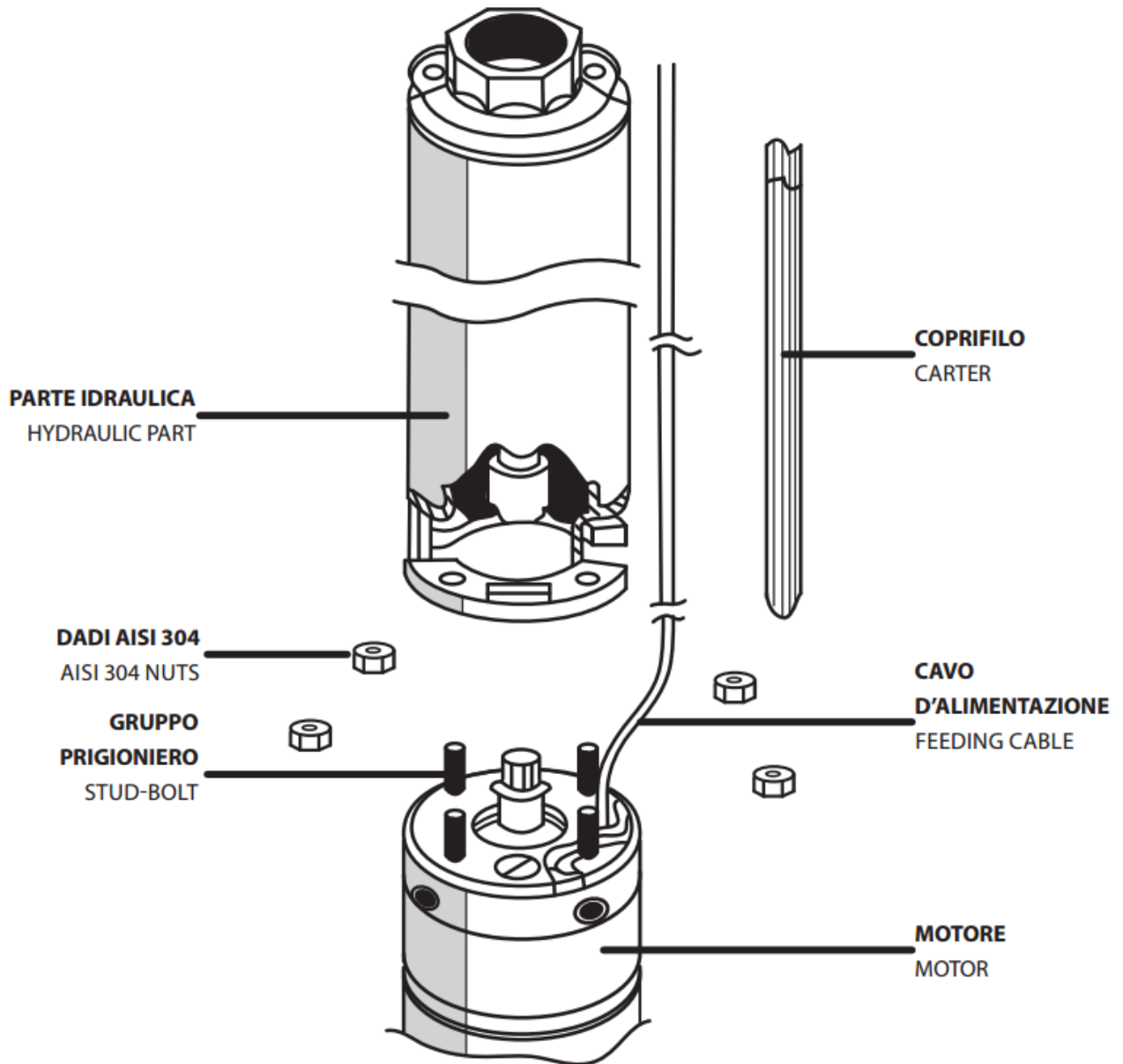
Model	Delivery pipe	L (mm)	L1 (mm)	Kg
MAX4SB 4/07 + MXW4075M	1"1/4	437	962	12,5
MAX4SB 4/10 + MXW41M		551	1101	14,7
MAX4SB 4/14 + MXW415M		741	1326	18,2
MAX4SB 4/18 + MXW42M		930	1550	22,1
MAX4SB 4/27 + MXW43M		1310	2080	27,7
MAX4SB 4/07 + MXW4075		437	962	11,9
MAX4SB 4/10 + MXW41		551	1101	13,6
MAX4SB 4/14 + MXW415		741	1326	16,6
MAX4SB 4/18 + MXW42		930	1550	20,5
MAX4SB 4/27 + MXW43		1310	2080	25,5



Motor & pump coupling

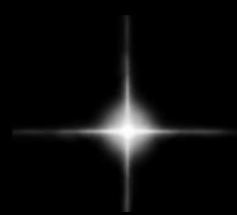
Assembly

Simple and effective assembly system. With a pre-assembled filter in the hydraulic part, the submersible pump is composed by the motor, the hydraulic part and the coping plate.



MOTOR		NOMINAL POWER		NOMINAL TENSION	CHARACTERISTICS OF EXERCISE WITH NOMINAL POWER				MAX WATER TEMPERATURE
SINGLE-PHASE	THREE-PHASE	kW	HP	V	A	rpm	μ %	cos ϕ	°C
MXW 405M	-	0,37	0,50	220	4,1	2810	52	0,69	40
				230	4,1	2820	54	0,7	40
				240	4	2830	51	0,67	40
MXW 4075M	-	0,55	0,75	220	5,1	2805	61	0,70	40
				230	5,1	2816	60	0,71	40
				240	5	2828	62	0,68	40
MXW 41M	-	0,75	1,00	220	7,1	2812	65	0,72	40
				230	7	2822	66	0,73	40
				240	6,9	2832	68	0,71	40
MXW 415M	-	1,10	1,50	220	9,6	2808	68	0,69	40
				230	9,5	2818	72	0,7	40
				240	9,6	2828	69	0,67	40
MXW 42M	-	1,50	2,00	220	10,9	2810	74	0,68	40
				230	10,7	2820	78	0,73	40
				240	10,5	2830	72	0,65	40
MXW 43M	-	2,20	3,00	220	14,4	2816	72	0,70	40
				230	14,2	2826	76	0,71	40
				240	14	2832	74	0,67	40
-	MXW 405	0,37	0,50	380	1,8	2809	54	0,69	40
				400	1,6	2820	58	0,72	40
				415	1,5	2830	52	0,64	40
-	MXW 4075	0,55	0,75	380	2,2	2811	62	0,68	40
				400	2,1	2821	68	0,75	40
				415	2	2831	65	0,70	40
-	MXW 41	0,75	1,00	380	2,6	2808	63	0,64	40
				400	2,5	2818	60	0,71	40
				415	2,4	2828	64	0,67	40
-	MXW 415	1,10	1,50	380	3,6	2816	72	0,70	40
				400	3,4	2826	71	0,7	40
				415	3,3	2832	70	0,67	40
-	MXW 42	1,50	2,00	380	4,6	2810	78	0,65	40
				400	4,4	2820	77	0,69	40
				415	4,2	2830	74	0,65	40
-	MXW 43	2,20	3,00	380	6,2	2816	64	0,67	40
				400	5,9	2826	68	0,69	40
				415	5,8	2832	65	0,68	40
-	MXW 44	3,00	4,00	380	8,8	2810	62	0,70	40
				400	8,6	2820	65	0,71	40
				415	8,4	2830	64	0,67	40
-	MXW 455	4,00	5,50	380	10,4	2810	79	0,67	40
				400	10	2820	78	0,68	40
				415	9,8	2830	77	0,66	40
-	MXW 475	5,50	7,50	380	14,5	2812	78	0,69	40
				400	14,2	2822	77	0,71	40
				415	14,1	2832	76	0,64	40
-	MXW 410	7,50	10,00	380	18,1	2810	80	0,69	40
				400	17,7	2820	79	0,69	40
				415	17,5	2830	76	0,7	40

X-Power project



EXPLORING WARRANTIES AND PRODUCT LIABILITY

The guarantee starts from the date shown on the proof of purchase (receipt, invoice).

For every malfunctioning product, the customer's or the retailer's must contact us to arrange the intervention of an authorized technician; or it must proceed with the withdrawal for checking the status of the product.

In case of warranty validation, the costs of collection, verification and Return of the product are free for the customer.

The materials must be strictly accompanied by a receipt or invoice, otherwise the check must be excluded.

La direzione

Elettromek

Servizio clienti: support@xpowerwaterpumps.com





Authorized dealer