

Data sheet

Presscontrol for electric pumps

PLUTO 15

PLUTO 22



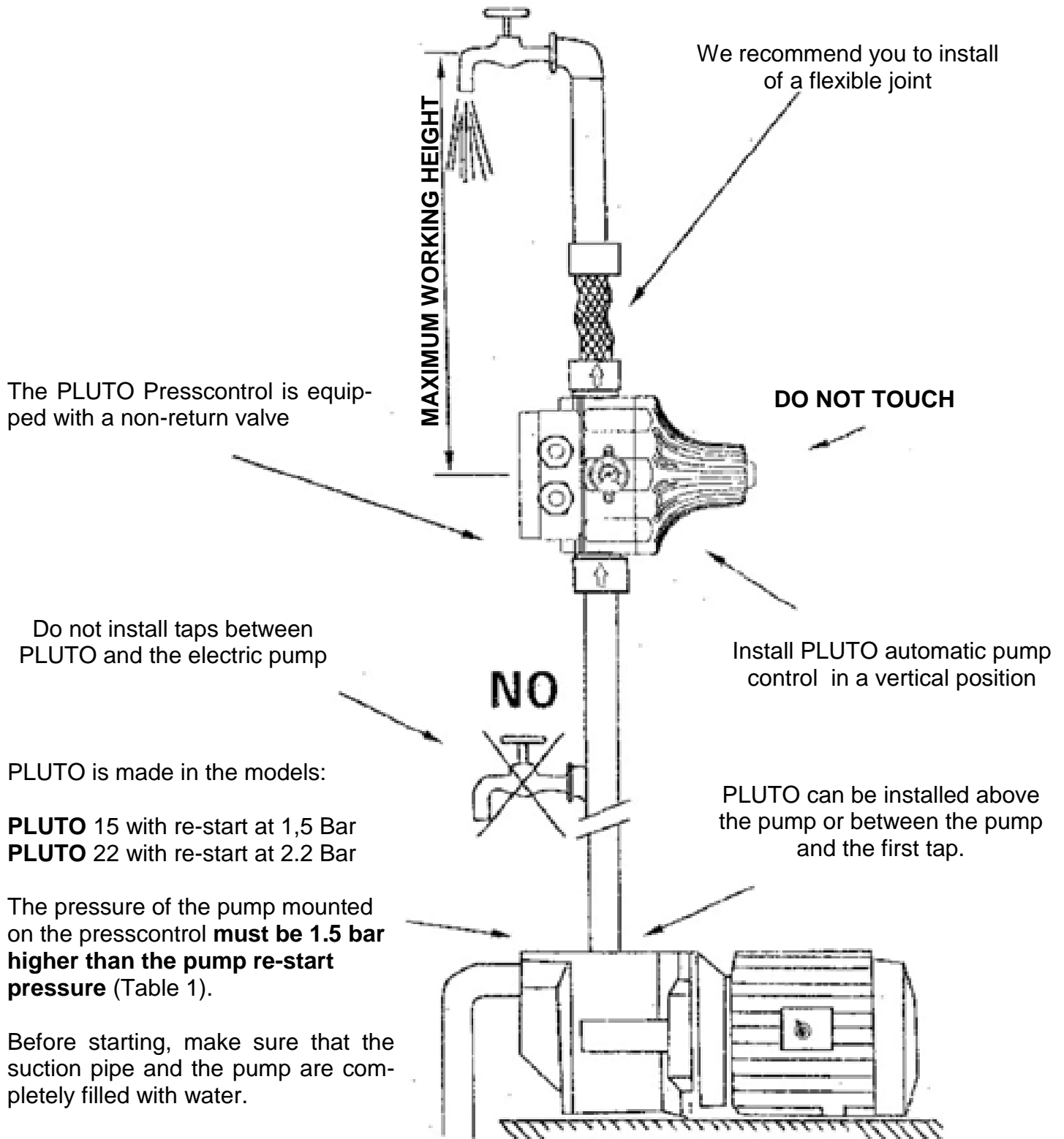
MAIN FEATURES

Input voltage: 230V +/- 10%	Max working pressure: 10bar
Frequency: 50 - 60 Hz	Max ambient temperature: 60°C
Rated current: 10A	IN-OUT connection: 1" M
Protection class: IP65	PLUTO 15 Re-start: 1,5 Bar
	PLUTO 22 Re-start: 2,2 Bar

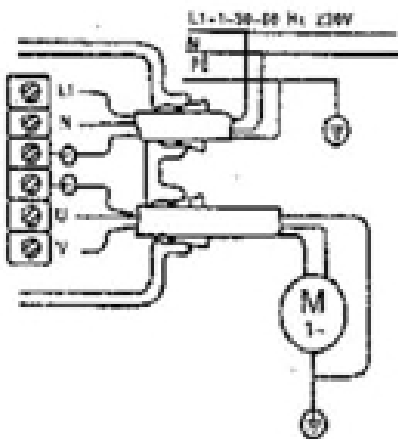
“PLUTO” INSTALLATION

WARNING! The maximum working height between PLUTO (the automatic pump controller) and the highest point of the system will have limitations depending on the starting pressure. The maximum pressure of the pump must be higher than a value that depends on the starting pressure. Both of these limits are specified in table 1 below.

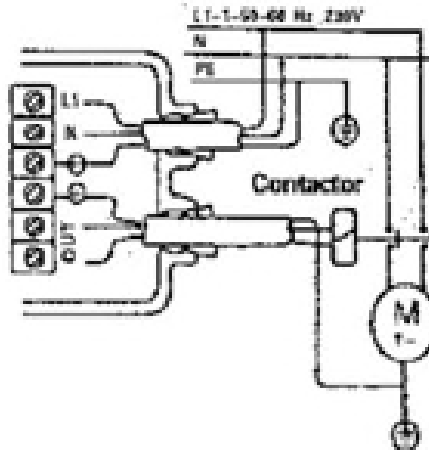
MODEL	STARTING PRESSURE	MAX WORKING HEIGHT	MAX PUMP PRESSURE:
PLUTO 15	1,5 Bar	10 metri	3 Bar
PLUTO 22	2,2 Bar	17 metri	3,7 Bar



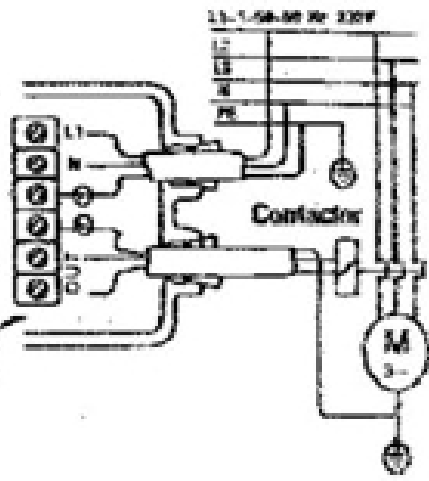
"PLUTO" ELECTRICAL CONNECTIONS



Direct connection to the electric pump
230Vac - 50Hz - Max 1,1 kW



Connection via relay
230Vac - 50Hz



Connection via relay
400Vac - 50Hz

Remote control for single-phase pumps

The relay can be used to power electropumps without power limit

Remote control for three-phase pumps

The relay can be used to power electropumps without power limit

PROBLEM	REASONS ABOUT "PLUTO"	OTHER REASONS
Pump does not start	<ul style="list-style-type: none"> Broken electronic board 	<ul style="list-style-type: none"> Incorrect voltage The pump is blocked The power and pump cables are reversed
Pump does not stop	<ul style="list-style-type: none"> Broken electronic board The flow switch is locked in the open position The reset button is blocked The pump does not have enough pressure to allow it to come off 	<ul style="list-style-type: none"> Water leaks in the system above 0.6 l/min
The pump works intermittently	<ul style="list-style-type: none"> Broken electronic board The pump does not have enough pressure to allow it to come off 	<ul style="list-style-type: none"> Water leaks in the system above 0.6 l/min
The pump is jammed	—	<ul style="list-style-type: none"> Bearings bocked Debris in the impeller Broken condenser

“PLUTO” INSTALLATION

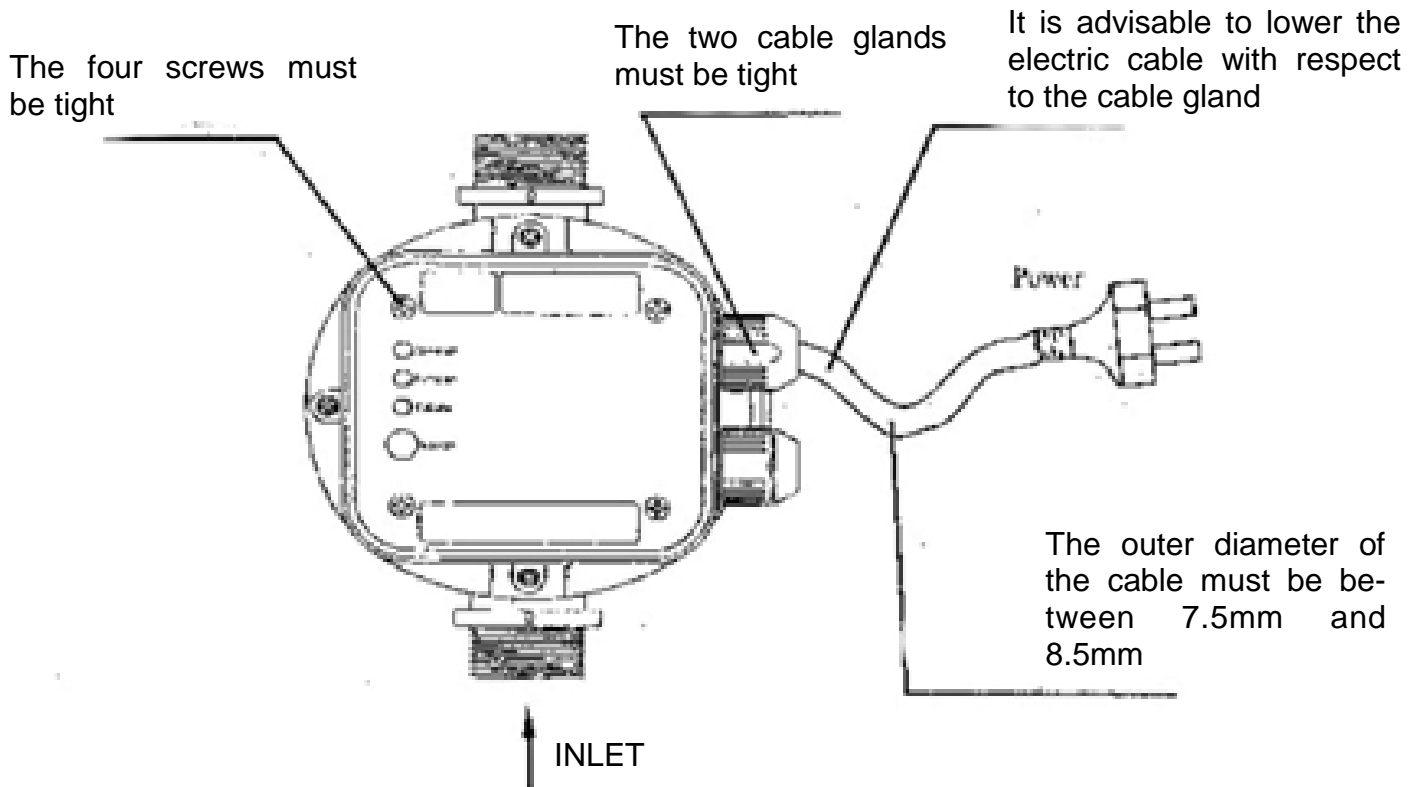
Never remove the electronic board from PLUTO.

The wiring diagram inside the terminal board shows how to make the correct connection. The incorrect wires connection could damage the electronic system.

The cable used for the connection must be a three-wire cable including grounding.

In order to be able to adhere to the cable glands, the power cables of PLUTO and of the electric pump must have an external diameter between 7.5 mm and 8.5 mm.

The four screws of the board and the two cable glands for the electric cables must be tight to prevent water and damaging the electronic circuit.



STARTING

When PLUTO is connected to the electric current, the green "Power on" LED turns on. The yellow "Pump on" LED means that the pump is ON. The pump then pressurizes the circuit and after a dozen seconds it stops.

If this time interval is insufficient or if the water suction ends, the pump blocks and the red "Failure" LED lights up. In this case, the pump must be started again using the "Restart" button with an open tap, until the "Failure" LED to goes off.

OPERATION

Once the system has started, PLUTO is ready to work automatically.

If the water is missing, the suction pipe is blocked, or similar things, PLUTO goes into "Failure" to prevent damage and sends a stop signal to the electric pump.

Once the fault that caused the electric pump has been blocked, the "restart" button will start up again.

WARRANTY

In case of failure, please contact the retailer or write an email to our customer service:

support@xpowerwaterpump.com

www.xpowerwaterpumps.com